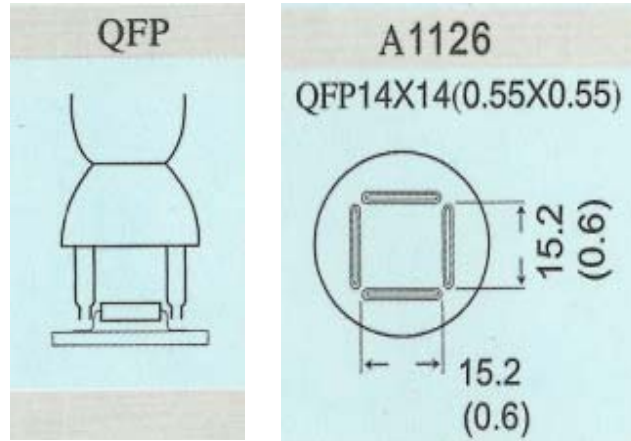


# OPTIONAL NOZZLES HOT AIR

## Model:A1126



### **Description:**

1-The nozzles Hot Air suitable to:SLD850,SLD852,SLD852D,SLD853A,SLD853B,SLD858+, SLD863,SLD882,SLD902,SLD902+,SLD936,SLD958.

2-Use for IC: QFP 14X14.

Made in China